

General Description

The AAT352x series of PowerManager products is part of Skyworks' Total Power Management IC (TPMIC™) product family. These microprocessor reset circuits are ideal for monitoring voltage supplies in portable systems, where extended battery life is critical. They provide a low-cost, reliable solution by eliminating the need for external components. The AAT352x series operates by monitoring the system power supply voltage. When the input voltage drops below a fixed threshold, the device asserts a reset signal for a fixed time period after V_{CC} has risen back above the fixed threshold; 30ms and 150ms minimum periods are available. The AAT352x product series is guaranteed to operate down to 1.2V and is designed to ignore fast line transients appearing on V_{CC} . The AAT352x series is available with two output stage versions: AAT3522 push-pull active low output; and AAT3524 open drain active low output. The quiescent supply current is extremely low, typically $1\mu A$, making it ideal for portable battery-operated equipment.

The AAT3522/3524 are available in a Pb-free, 3-pin SOT23 package and are specified over the $-40^{\circ}C$ to $+85^{\circ}C$ operating temperature range.

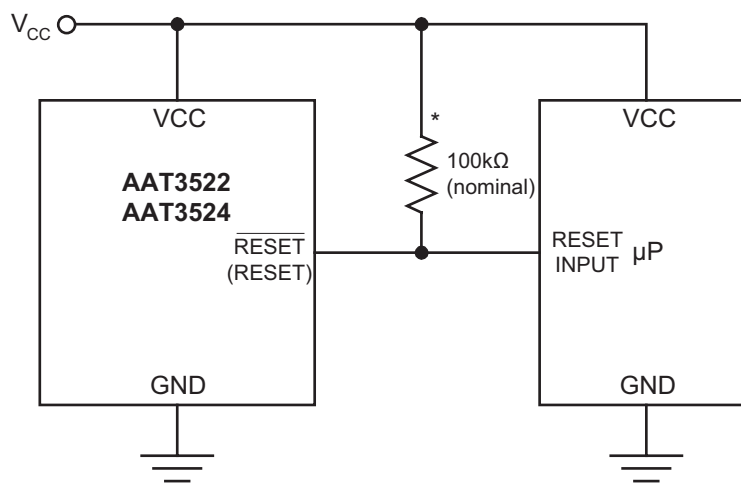
Features

- Input Voltage Range: 1.2V to 5.5V
- Operation Down to 1.2V
- Extremely Low Quiescent Current: $<2\mu A$
- High Accuracy Detection Threshold: $\pm 1.5\%$
- Monitor Power Supply Voltages
- Fixed Thresholds from 2.2V to 4.6V
- -Reset Pulse Width Options
 - Minimum 30ms or 150ms or 300ms
 - Fast Propagation Delay $<20\mu s$
- Available Output Configurations:
 - Open-Drain Output
 - CMOS Active High Output
 - CMOS Active Low Output
- Temperature Range: $-40^{\circ}C$ to $+85^{\circ}C$
- 3-Pin SOT23 Package
- 4kV ESD Rating

Applications

- Cell Phones
- Embedded Systems
- Intelligent Instruments
- Notebook Computers
- Portable Electronics

Typical Application



*AAT3524 Only

AAT3522/3524

MicroPower™ Microprocessor Reset Circuit

Pin Descriptions

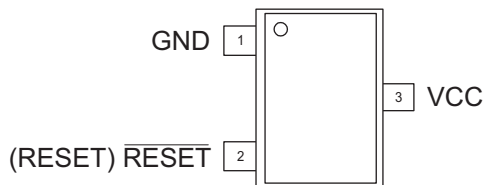
Pin #	Symbol	Function
1	GND	Ground connection.
2	$\overline{\text{RESET}}$ (AAT3522, AAT3524)	$\overline{\text{RESET}}$ output remains low while V_{CC} is below the reset threshold and remains so for a fixed time period after V_{CC} raises above the reset threshold.
3	VCC	Supply voltage (+1.2V to +5.5V). Due to extremely low operating current, place a 10nF capacitor between VCC and GND.

Part Number Descriptions

Part Number	Part Description
AAT3522	Reset Output Push Pull Active Low with Delay
AAT3524	Reset Output Open Drain Active Low with Delay

Pin Configuration

SOT23-3
(Top View)



AAT3522/3524*MicroPower™ Microprocessor Reset Circuit***Absolute Maximum Ratings¹**

$T_A = 25^\circ\text{C}$, unless otherwise noted.

Symbol	Description	Value	Units
V_{CC}	V_{CC} to GND	-0.3 to 5.5	V
V_{RESET}	RESET to GND (Push-Pull Output)	-0.3 to $V_{CC} + 0.3$	V
	\overline{RESET} to GND (Open Drain Output)	-0.3 to 5.5	
I_{MAX}	Maximum Continuous Input Current	20	mA
I_{RESET}	RESET/RESET Current	20	mA
dV_{CC}/dt	Rate of Rise of V_{CC}	100	V/ μs
T_J	Operating Junction Temperature Range	-40 to 150	$^\circ\text{C}$
T_{LEAD}	Maximum Soldering Temperature (at Leads, 10 sec.)	300	$^\circ\text{C}$

Thermal Information²

Symbol	Description	Value	Units
Θ_{JA}	Maximum Thermal Resistance	200	$^\circ\text{C}/\text{W}$
P_D	Maximum Power Dissipation	320	mW

1. Stresses above those listed in Absolute Maximum Ratings may cause permanent damage to the device. Functional operation at conditions other than the operating conditions specified is not implied. Only one Absolute Maximum Rating should be applied at any one time.
2. Mounted on an FR4 board.

AAT3522/3524

MicroPower™ Microprocessor Reset Circuit

Electrical Characteristics

$V_{IN} = 5V$, $T_A = -40^{\circ}C$ to $+85^{\circ}C$, unless otherwise noted. Typical values are at $T_A = 25^{\circ}C$; $V_{CC} = 5V$ for 4.63/4.38V versions; $V_{CC} = 3.3V$ for 3.08/2.93V versions; $V_{CC} = 3.0V$ for 2.63V version; $V_{CC} = 2.5V$ for 2.32/2.2V versions.

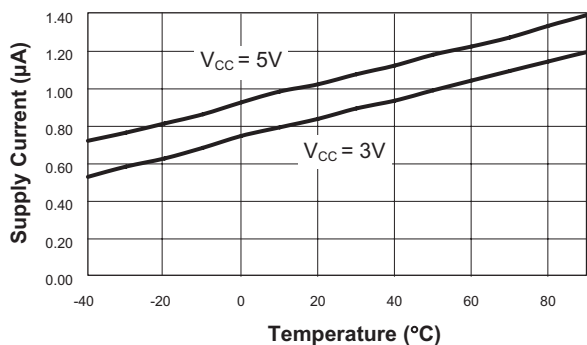
Symbol	Description	Conditions	Min	Typ	Max	Units
V_{CC}	Operation Voltage	$T_A = 0^{\circ}C$ to $+70^{\circ}C$	1.0		5.5	V
		$T_A = -40^{\circ}C$ to $+85^{\circ}C$	1.2		5.5	
I_Q	Quiescent Current	$V_{CC} = 5.5V$		1.05	3	μA
		$V_{CC} = 3V$		0.85	2	
V_{TH}	RESET Threshold (Table 1)	$T_A = 25^{\circ}C$	$V_{TH} - 1.5\%$	V_{TH}	$V_{TH} + 1.5\%$	V
		$T_A = -40^{\circ}C$ to $+85^{\circ}C$	$V_{TH} - 2.5\%$	V_{TH}	$V_{TH} + 2.5\%$	
$\Delta V_{TH}/^{\circ}C$	RESET Threshold Temperature Coefficient			40		ppm/ $^{\circ}C$
t_P	RESET Propagation Delay	$V_{CC} = V_{TH}$ to $(V_{TH} - 100mV)$		15		μs
t_{RDY}	RESET Active Timeout Period	-50 Option	30	50	100	ms
		-200 Option	150	250	400	
		-400 Option	300	500	800	
V_{OL}	RESET Low Output Voltage AAT3522, AAT3524	$I_{SINK} = 1.2mA$, $V_{CC} = V_{TH(min)}$, $V_{TH} \leq 3.08V$, RESET Asserted			0.3	V
		$I_{SINK} = 3.2mA$, $V_{CC} = V_{TH(min)}$, $V_{TH} > 3.08V$, RESET Asserted			0.4	
V_{OH}	RESET High Output Voltage AAT3522	$I_{SOURCE} = 800\mu A$, $V_{TH} > 3.08V$, $V_{CC} > V_{TH(max)}$	$V_{CC} - 1.5$			V
		$I_{SOURCE} = 500\mu A$, $V_{TH} \leq 3.08V$, $V_{CC} > V_{TH(max)}$	$0.8 V_{CC}$			
I_{DOFF}	RESET Leakage Current AAT3524	$V_{CC} > V_{TH}$			1	μA

AAT3522/3524

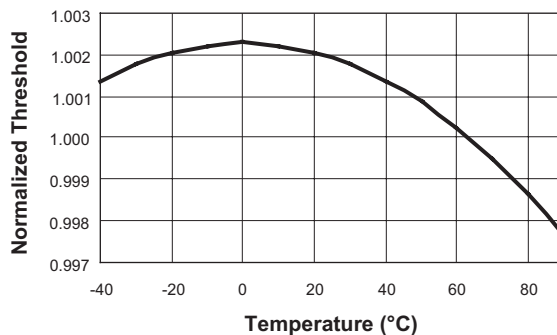
MicroPower™ Microprocessor Reset Circuit

Typical Characteristics

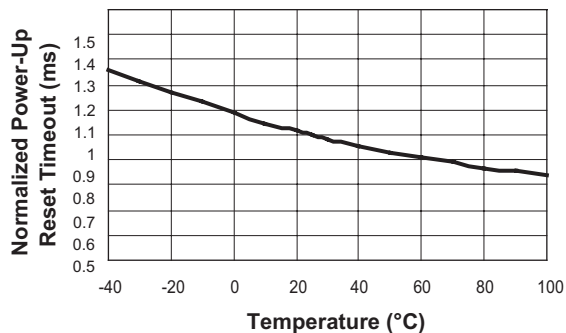
Supply Current vs. Temperature



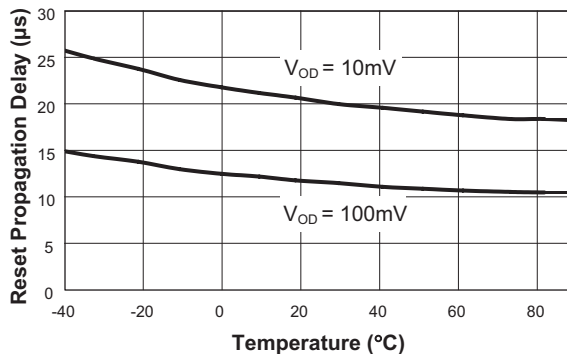
Normalized Reset Threshold vs. Temperature



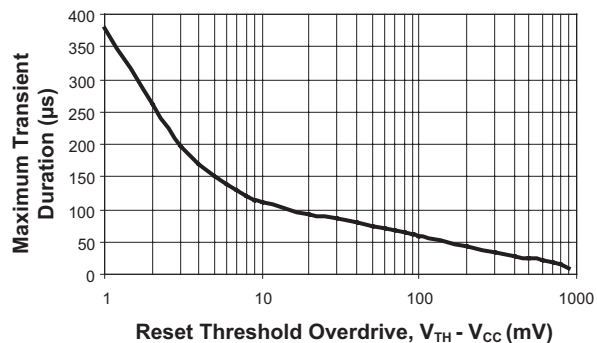
Normalized Power-Up Reset Timeout vs. Temperature



Power-Down Reset Propagation Delay vs. Temperature



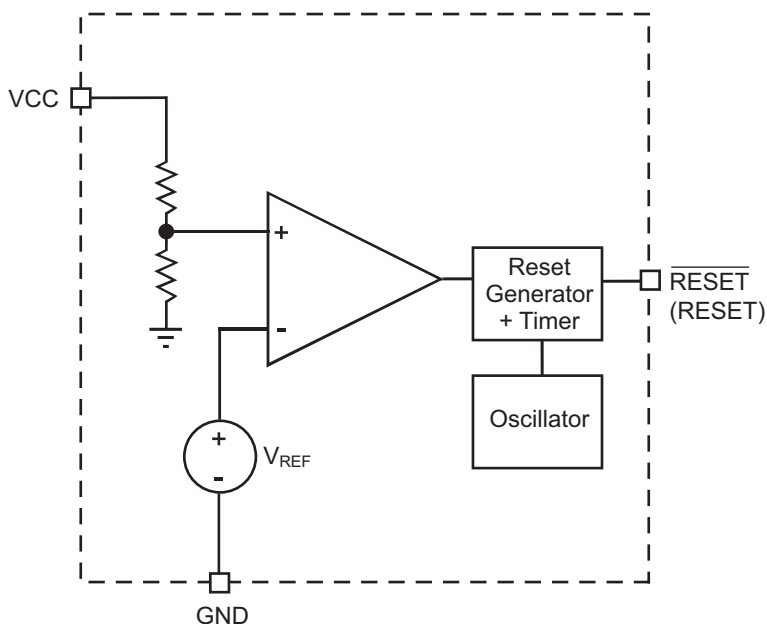
Maximum Transient Duration vs. Reset Threshold Overdrive



AAT3522/3524

MicroPower™ Microprocessor Reset Circuit

Functional Block Diagram



Functional Description

General

During start-up, the reset pin on a microprocessor ensures that it is fully reset and starts up in a known condition. The AAT352x series of microprocessor reset devices monitor the supply voltage to a microprocessor

and assert a reset signal whenever the V_{CC} voltage falls below a factory-programmed threshold. This threshold is accurate within $\pm 1.5\%$ at 25°C and within $\pm 2.5\%$ over the entire operating temperature range. The reset signal remains asserted for a fixed time period (t_{RDY}) after V_{CC} has risen above the threshold, as shown in Figure 1. See Ordering Information for available RESET active timeout periods.

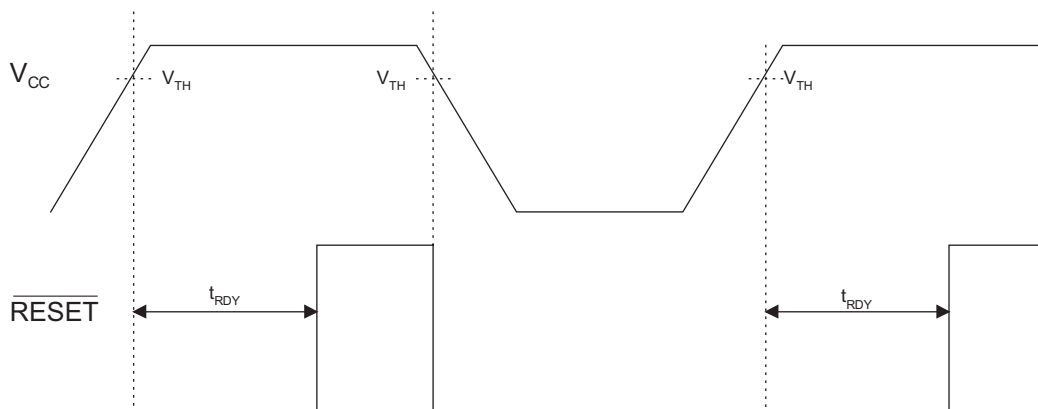


Figure 1: Reset Timing Diagram (AAT3522, AAT3524).

AAT3522/3524

MicroPower™ Microprocessor Reset Circuit

Applications Information

Reset Output Options

The AAT3524 has an active low open drain output and the AAT3522 have a push-pull output. The AAT3524 may be used in multiple voltage systems with an external pull-up resistor. This allows the AAT3524 to interface to microprocessors with higher supply voltages up to 5.5V (Figure 3). In the event of a power down or brown-out condition, the reset signal remains valid until the V_{CC} drops below 1.2V. To ensure validity down to ground, an external 100k Ω resistor should be connected between the RESET output and GND.

Supply Voltage Transient Behavior

In some cases, fast negative transients of short duration can appear on the V_{CC} power supply. The AAT352x series devices provide some immunity to line transients which can generate invalid reset pulses. Figure 1 shows typical behavior to short duration pulses versus RESET comparator overdrive. As shown in the Maximum Transient Duration vs. Reset Threshold Overdrive graph, when the transient voltage becomes larger, the time allowed before asserting a reset becomes shorter (i.e., typically a transient of 100mV below the reset threshold would have to present for more than 50 μ s to cause a reset). Immunity can be increased by the addition of a small bypass capacitor of 0.1 μ F connected as closely to the V_{CC} pin as possible.

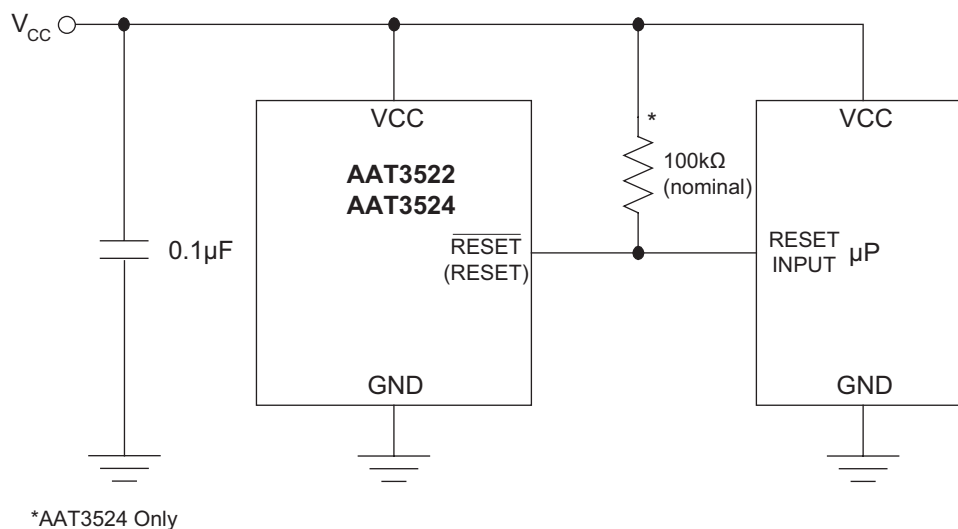


Figure 2: Using Recommended Bypass Capacitor.

AAT3522/3524

MicroPower™ Microprocessor Reset Circuit

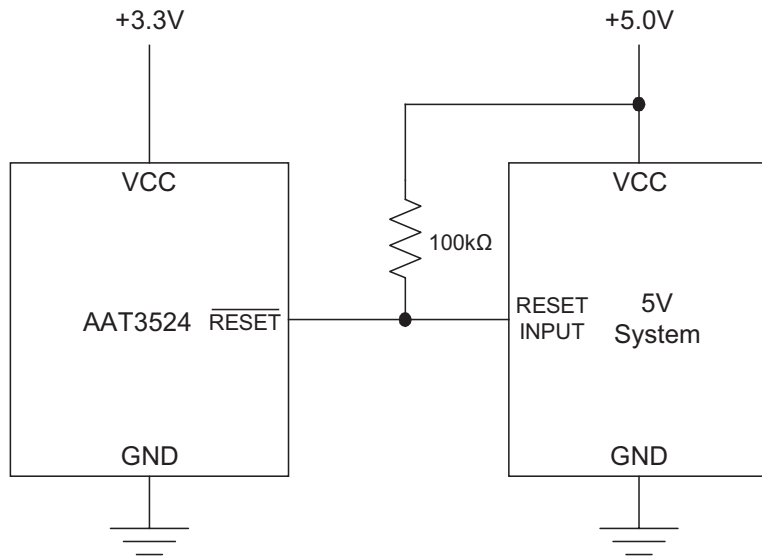


Figure 3: Using AAT3524 Open Drain Output with Multiple Supplies.

AAT3522/3524

MicroPower™ Microprocessor Reset Circuit

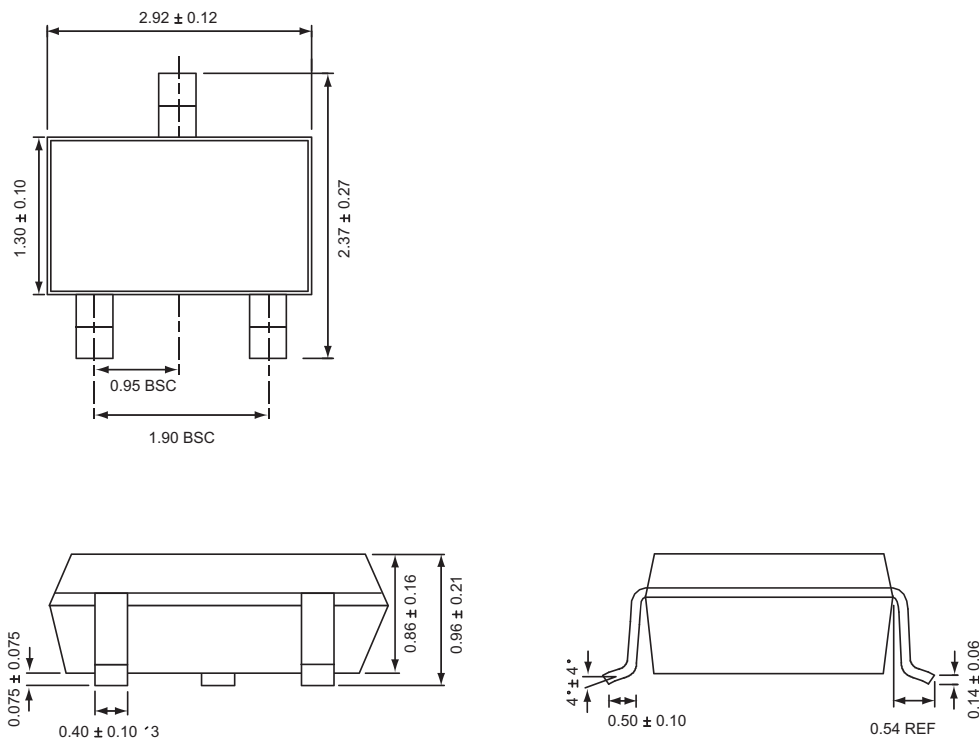
Factory Trimmed Reset Thresholds¹ and Ordering Information

Ordering Part Number ²	Marking ³	Minimum Reset Active (ms)	Reset Threshold Voltage, V _{TH} (V)				
			T _A = 25°C			T _A = -40°C to +85°C	
			Min	Typ	Max	Min	Max
AAT3522IGY-2.20-200-T1	DBXYY	150	2.167	2.200	2.233	2.145	2.255
AAT3522IGY-2.32-200-T1	DTXYY	150	2.285	2.320	2.355	2.262	2.378
AAT3522IGY-2.45-200-T1	DXXYY	150	2.413	2.450	2.487	2.389	2.511
AAT3522IGY-2.63-200-T1	CAXYY	150	2.591	2.630	2.669	2.564	2.696
AAT3524IGY-2.63-200-T1	CWXY	150					
AAT3522IGY-2.93-50-T1	FVXYY	30	2.886	2.930	2.974	2.857	3.003
AAT3522IGY-2.93-200-T1	CCXYY	150					
AAT3524IGY-2.93-200-T1	FPXYY	150					
AAT3522IGY-3.08-50-T1	CYXYY	30	3.034	3.080	3.126	3.003	3.157
AAT3522IGY-3.08-200-T1	CBXYY	150					
AAT3524IGY-3.08-200-T1	BGXYY	150					
AAT3524IGY-3.08-400-T1	J7XYY	300					
AAT3522IGY-4.38-200-T1	FUXYY	150	4.314	4.380	4.446	4.271	4.490
AAT3524IGY-4.38-200-T1	IVXYY	150					
AAT3522IGY-4.63-200-T1	DAXYY	150	4.561	4.630	4.699	4.514	4.746
AAT3524IGY-4.63-200-T1	DUXYY	150					

1. Contact Local Sales Office for custom trimmed options.

2. Sample stock is generally held on part numbers listed in **BOLD**.

3. XYY = assembly and date code.

AAT3522/3524**MicroPower™ Microprocessor Reset Circuit****Package Information****SOT23-3**

All dimensions in millimeters.

Copyright © 2012 Skyworks Solutions, Inc. All Rights Reserved.

Information in this document is provided in connection with Skyworks Solutions, Inc. ("Skyworks") products or services. These materials, including the information contained herein, are provided by Skyworks as a service to its customers and may be used for informational purposes only by the customer. Skyworks assumes no responsibility for errors or omissions in these materials or the information contained herein. Skyworks may change its documentation, products, services, specifications or product descriptions at any time, without notice. Skyworks makes no commitment to update the materials or information and shall have no responsibility whatsoever for conflicts, incompatibilities, or other difficulties arising from any future changes.

No license, whether express, implied, by estoppel or otherwise, is granted to any intellectual property rights by this document. Skyworks assumes no liability for any materials, products or information provided hereunder, including the sale, distribution, reproduction or use of Skyworks products, information or materials, except as may be provided in Skyworks Terms and Conditions of Sale.

THE MATERIALS, PRODUCTS AND INFORMATION ARE PROVIDED "AS IS" WITHOUT WARRANTY OF ANY KIND, WHETHER EXPRESS, IMPLIED, STATUTORY, OR OTHERWISE, INCLUDING FITNESS FOR A PARTICULAR PURPOSE OR USE, MERCHANTABILITY, PERFORMANCE, QUALITY OR NON-INFRINGEMENT OF ANY INTELLECTUAL PROPERTY RIGHT; ALL SUCH WARRANTIES ARE HEREBY EXPRESSLY DISCLAIMED. SKYWORKS DOES NOT WARRANT THE ACCURACY OR COMPLETENESS OF THE INFORMATION, TEXT, GRAPHICS OR OTHER ITEMS CONTAINED WITHIN THESE MATERIALS. SKYWORKS SHALL NOT BE LIABLE FOR ANY DAMAGES, INCLUDING BUT NOT LIMITED TO ANY SPECIAL, INDIRECT, INCIDENTAL, STATUTORY, OR CONSEQUENTIAL DAMAGES, INCLUDING WITHOUT LIMITATION, LOST REVENUES OR LOST PROFITS THAT MAY RESULT FROM THE USE OF THE MATERIALS OR INFORMATION, WHETHER OR NOT THE RECIPIENT OF MATERIALS HAS BEEN ADVISED OF THE POSSIBILITY OF SUCH DAMAGE.

Skyworks products are not intended for use in medical, lifesaving or life-sustaining applications, or other equipment in which the failure of the Skyworks products could lead to personal injury, death, physical or environmental damage. Skyworks customers using or selling Skyworks products for use in such applications do so at their own risk and agree to fully indemnify Skyworks for any damages resulting from such improper use or sale.

Customers are responsible for their products and applications using Skyworks products, which may deviate from published specifications as a result of design defects, errors, or operation of products outside of published parameters or design specifications. Customers should include design and operating safeguards to minimize these and other risks. Skyworks assumes no liability for applications assistance, customer product design, or damage to any equipment resulting from the use of Skyworks products outside of stated published specifications or parameters.

Skyworks, the Skyworks symbol, and "Breakthrough Simplicity" are trademarks or registered trademarks of Skyworks Solutions, Inc., in the United States and other countries. Third-party brands and names are for identification purposes only, and are the property of their respective owners. Additional information, including relevant terms and conditions, posted at www.skyworksinc.com, are incorporated by reference.